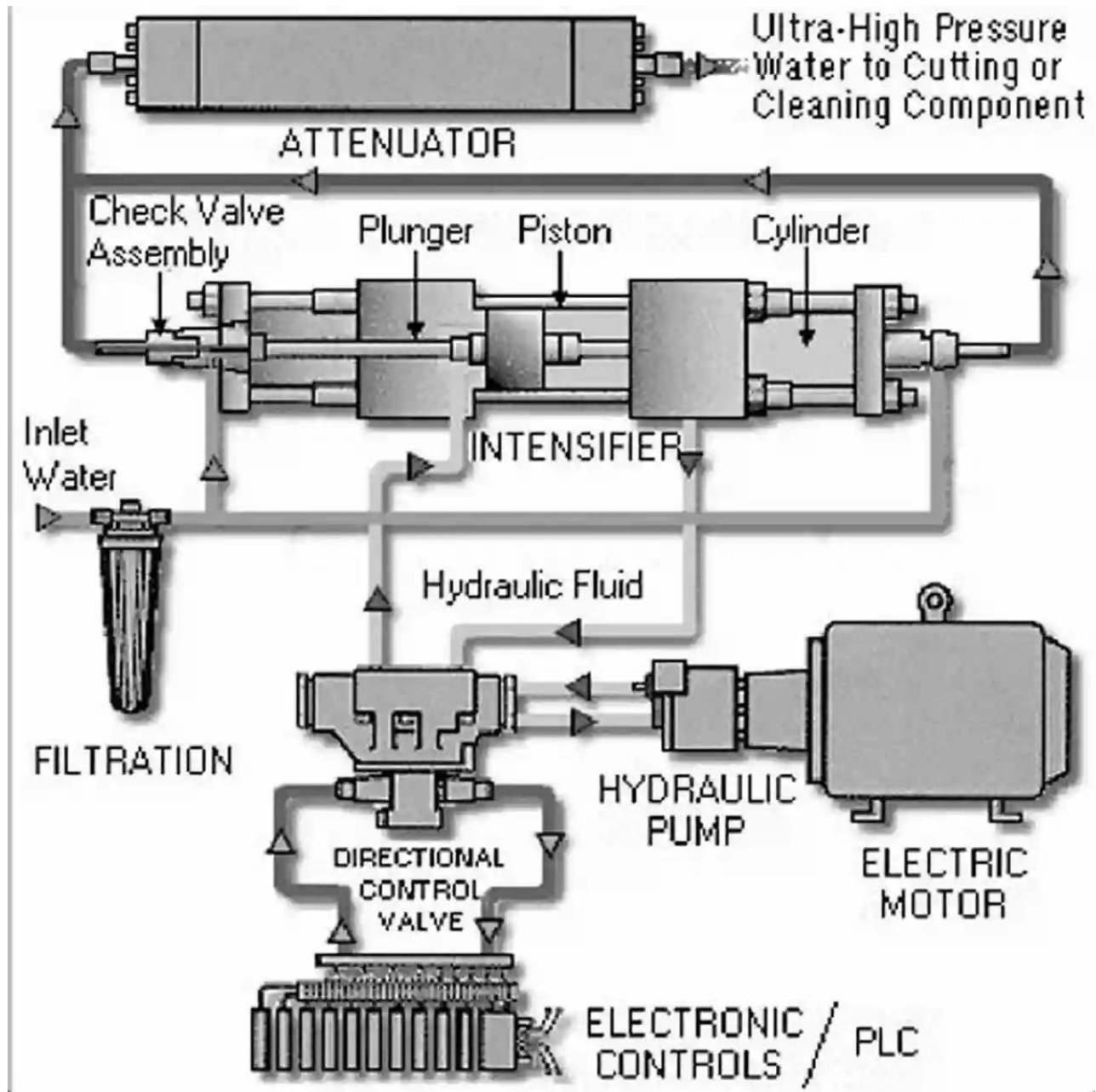


The Ultimate Guide to Understanding Hydraulics and Hydrology for Beginners



Have you ever wondered how water moves through pipes, channels, or river networks? Or maybe you're intrigued by the science behind floods, rainfall, and water management systems? If you're curious about these topics, then you're in

the right place! In this comprehensive guide, we will introduce you to the fascinating world of hydraulics and hydrology.

What is Hydraulics?

Hydraulics deals with the mechanical properties of liquids, specifically water, and how it behaves under pressure or flow. This branch of engineering plays a crucial role in various industries such as civil engineering, aerospace, oil and gas, and even automotive. Understanding hydraulics is essential for designing and operating systems that use fluid power, including hydraulic machinery and control systems.



Introduction to Hydraulics & Hydrology: With Applications for Stormwater Management

by John E. Gribbin(004 Edition, Kindle Edition)

★★★★☆ 4.4 out of 5

Language : English

File size : 40895 KB

Screen Reader : Supported

Print length : 560 pages

X-Ray for textbooks : Enabled



What is Hydrology?

Hydrology is the scientific study of water in all its forms, from rainfall and surface water to groundwater and evaporation. It focuses on the movement, distribution, and quality of water resources, as well as the interaction between water and the environment. Hydrologists play a vital role in assessing water availability, managing floods and droughts, and ensuring the sustainability of water-related projects.

The Interconnection between Hydraulics and Hydrology

While hydraulics and hydrology are distinct fields, they are closely interconnected. Understanding one helps in comprehending the other. For instance, the principles of hydraulics are essential for modeling and predicting water flow in rivers, stormwater systems, or even water distribution networks.

Hydrologists and hydraulic engineers often work hand in hand to analyze and design complex water management systems, such as dams, levees, and irrigation networks. They utilize hydraulic models and hydrological data to assess the potential impacts of extreme weather events, optimize water supply and demand, and develop sustainable solutions for managing water resources.

Applications of Hydraulics and Hydrology

Hydraulics and hydrology have numerous practical applications that impact our daily lives. Here are a few examples:

- **Weather Forecasting:** Hydrological models help meteorologists predict and analyze weather patterns, particularly rainfall and flooding.
- **Flood Management:** Hydraulic engineering techniques are employed to manage and mitigate flood risks by designing effective drainage systems, levees, and dams.
- **Water Supply Systems:** Understanding water flow and distribution principles is crucial for designing efficient water supply networks and optimizing water allocation.
- **Environmental Conservation:** Hydrologists and hydraulic engineers play a crucial role in assessing the environmental impact of various projects and designing sustainable solutions.

- **Energy Production:** Hydropower generation relies on the principles of hydraulics and hydrology to harness the energy potential of water.

Hydraulics and hydrology are fascinating fields that have wide-ranging applications, impacting our everyday lives more than we might realize. Whether you're interested in engineering, climate science, environmental conservation, or simply have a curiosity about how water behaves, delving into these subjects will provide you with valuable knowledge and insights. By understanding the principles of hydraulics and hydrology, we can work towards better water management, sustainable solutions, and a more resilient future for our water resources.

So, let's dive in and explore the captivating world of hydraulics and hydrology!



Introduction to Hydraulics & Hydrology: With Applications for Stormwater Management

by John E. Gribbin(004 Edition, Kindle Edition)

★★★★☆ 4.4 out of 5

Language : English

File size : 40895 KB

Screen Reader : Supported

Print length : 560 pages

X-Ray for textbooks : Enabled



With comprehensive coverage of hydraulics and hydrology in a non-calculus format, TO HYDRAULICS & HYDROLOGY: WITH APPLICATIONS FOR STORMWATER MANAGEMENT, 4TH EDITION provides an understanding of the concepts of hydraulics and surface water hydrology used in everyday practice. This edition contains multiple opportunities for practice and real-world

applications that relate to civil engineering, land developing, public works, and land surveying. Coverage addresses the history of water engineering; basic concepts of computation and design; principles of hydrostatics and hydrodynamics; open channel flow; unit hydrographs; and rainfall, runoff, and routing. Up-to-date examples help students apply concepts in the real world. Important Notice: Media content referenced within the product description or the product text may not be available in the ebook version.



The Secrets of Chaplaincy: Unveiling the Pastoral Theology of Inquiry Haworth

Chaplaincy is a field that encompasses deep empathy, understanding, and spirituality. It is a profession where individuals provide spiritual care and support to those in...



Animales Wordbooks: Libros de Palabras para los Amantes de los Animales

Si eres un amante de los animales como yo, entonces seguramente entenderás la fascinación que sentimos hacia estas increíbles criaturas. Ya sea que se trate de majestuosos...



Let's Learn Russian: Unlocking the Mysteries of the Cyrillic Script

Are you ready to embark on a linguistic adventure? Have you ever been curious about the beautiful Russian language? Look no further - this article is your...



The Incredible Adventures of Tap It Tad: Collins Big Cat Phonics For Letters And Sounds

Welcome to the enchanting world of phonics where learning to read becomes a captivating journey! In this article, we will explore the marvelous educational resource,...



Schoola Escuela Wordbookslibros De Palabras - Unlocking the Power of Words!

Growing up, one of the most significant milestones in a child's life is learning how to read. It opens up a whole new world of possibilities, imagination, and knowledge. A...



15 Exciting Fun Facts About Canada for Curious Kids

Canada, the second-largest country in the world, is famous for its stunning landscapes, diverse wildlife, and friendly people. As children, it's essential to...



What Did He Say? Unraveling the Mystery Behind His Words

Have you ever found yourself struggling to understand what someone really meant when they said something? Communication can often be clouded with ambiguity, leaving us...



A Delicious Journey through Foodla Comida Wordbookslibros De Palabras

Welcome to the world of Foodla Comida Wordbookslibros De Palabras, where colorful illustrations and engaging words come together to create a delightful learning...